

**DESCRIPTION:**

The **HG BLX94A** is a Common Emitter Device Designed for Class A, B and C Amplifier Applications from 50 to 500 MHz.

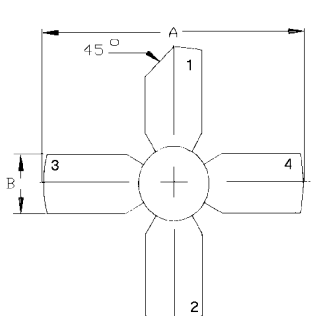
**FEATURES INCLUDE:**

- High Gain
- Gold Metallization
- Emitter Ballasting

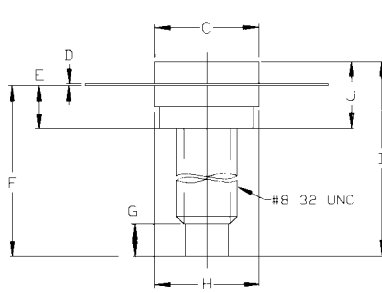
**MAXIMUM RATINGS**

<b>I<sub>C</sub></b>	2.5 mA
<b>V<sub>CBO</sub></b>	65 V
<b>P<sub>DISS</sub></b>	60 W @ T <sub>C</sub> = 25 °C
<b>T<sub>J</sub></b>	-65 °C to +200 °C
<b>T<sub>STG</sub></b>	-65 °C to +150 °C
<b>JC</b>	4.0 °C/W

**PACKAGE STYLE .280 4L STUD**



	MINIMUM Inches/mm	MAXIMUM Inches/mm
A	1.010/25.65	1.055/26.80
B	.220/5.59	.230/5.84
C	.270/6.86	.285/7.24
D	.003/0.08	.007/0.18
E	.117/2.97	.137/3.48
F	.5/2/14.53	
G	.130/3.30	
H	.275/6.99	.285/7.24
I	.640/16.26	
J	.175/4.45	.21/75.51



1 = COLLECTOR    2=BASE  
3 & 4 = EMITTER

**CHARACTERISTICS** T<sub>C</sub> = 25 °C

SYMBOL	TEST CONDITIONS	MINIMUM	TYPICAL	MAXIMUM	UNITS
<b>V<sub>CES</sub></b>	I <sub>C</sub> = 25 mA	65			<b>V</b>
<b>V<sub>CEO</sub></b>	I <sub>C</sub> = 100 mA	30			<b>V</b>
<b>V<sub>BEO</sub></b>	I <sub>E</sub> = 10 mA	4.0			<b>V</b>
<b>I<sub>CES</sub></b>	V <sub>CE</sub> = 30 V			10	<b>mA</b>
<b>h<sub>FE</sub></b>	V <sub>CE</sub> = 5.0 V    I <sub>C</sub> = 1.5 A	15	50		<b>---</b>
<b>C<sub>OB</sub></b>	V <sub>CB</sub> = 28 V    f = 1.0 MHz		33		<b>pF</b>
<b>P<sub>Gc</sub></b>	V <sub>CE</sub> = 28 V    P <sub>OUT</sub> = 25 W    f = 470 MHz	6.5 55			<b>dB %</b>

Note : Above parameters , ratings , limits and conditions are subject to change.